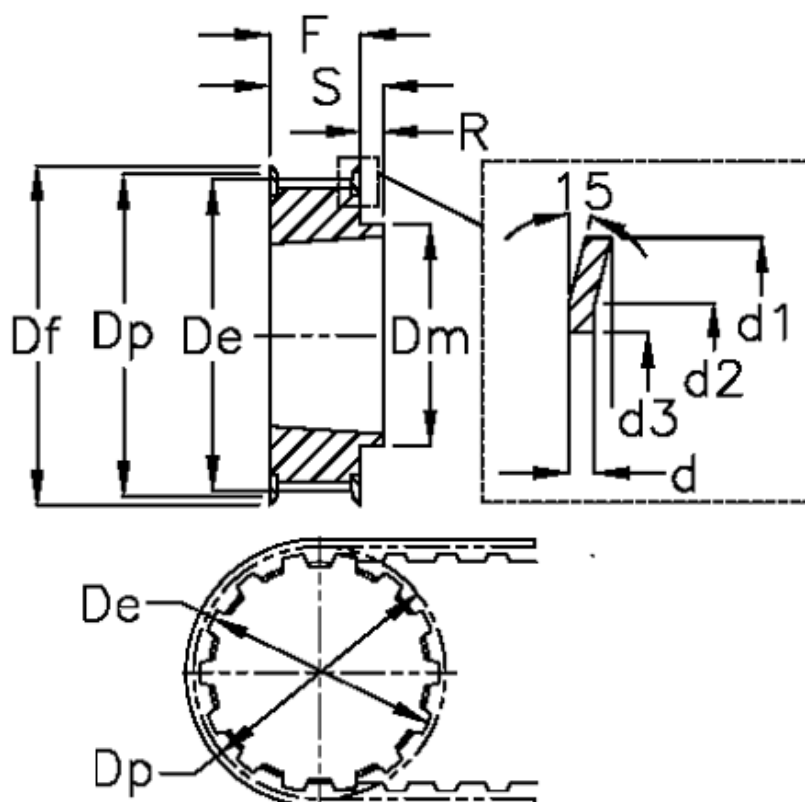


Article number: 604132048020

Description: Taper bored timing belt pulley
HTD 48 8M 20 TL 2012

Measures



d = 1.5	F = 28	Weight = 1.6
d1 = 128	Flange type = F40	Width = 20
d2 = 124	For bushing = 2012	
d3 = 107	Max bore = 50	
De = 120.86	r = 4	
Df = 128	S = 32	
Dm = 96	Tooth number = 48	
Dp = 122.23	Type = 8M	